

## AV-D40 (K Series) Dynamic Mount

Tilt and swivel · Heavy duty

### Features

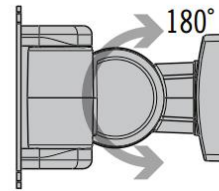
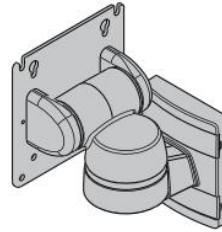
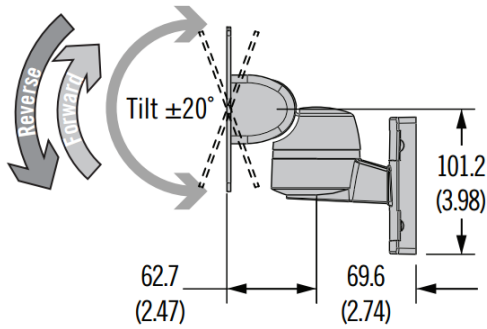
- Intuitive grab and move operation enhances the user experience
- No knobs or tools required to reposition the display
- Precise control of operating effort ensures ideal "feel" and eliminates "drift"
- Holds securely, even in applications with dynamic loading
- Consistent repeatable operation
- Fully enclosed for optimum cleanability
- Factory assembled and ready for use
- VESA MIS-D, 100, C compliant
- Available in black or white

### Material

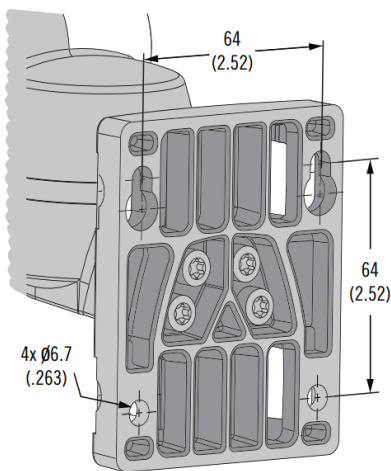
- Aluminum alloy, powder coated

### Product Performance

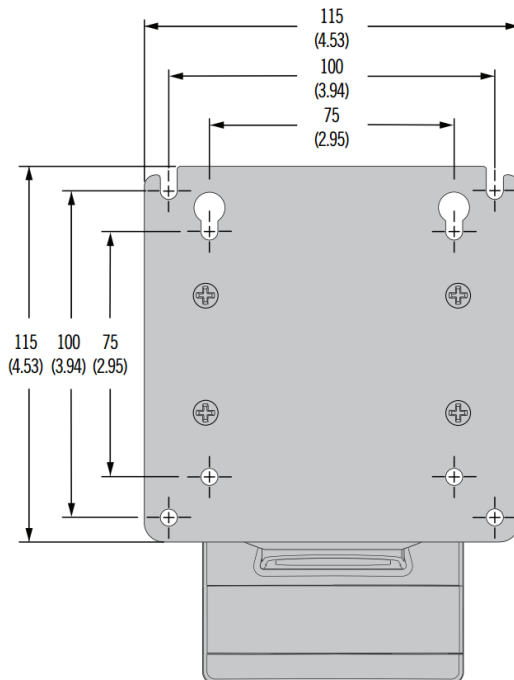
- Cycle performance: 20,000 cycles
- Max. dynamic working load:
  - Model 141 and 143: 70 N
  - Model 142: 100 N
  - Model 144: 225 N
- Average ultimate load:
  - Tilt / swivel: 2,300 N



Mounting Pattern



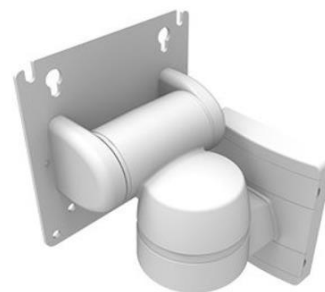
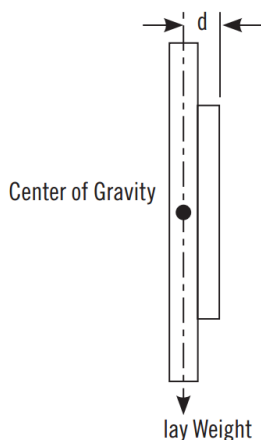
Display Mounting Plate



## Specification and Selection

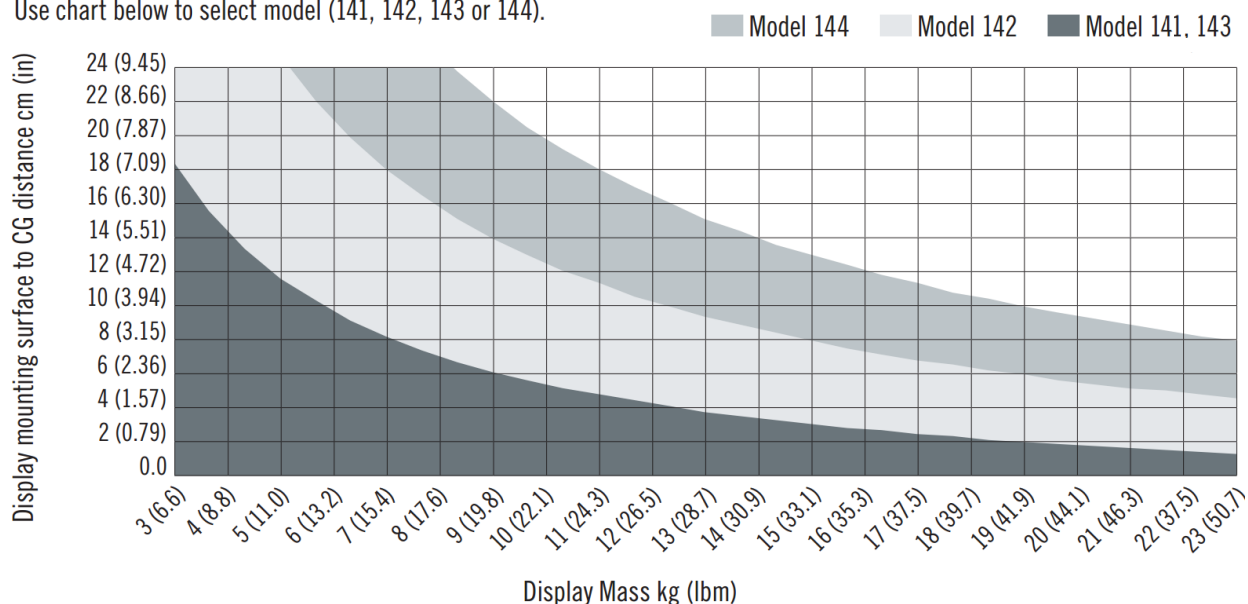
### Step 1

Determine display weight and distance (d) from mounting surface to center of gravity.



### Step 2

Use chart below to select model (141, 142, 143 or 144).



### Step 3

Complete part number by selecting length and color options below.

Style	Model	Tilt Torque N•m (in•lbf)		Swivel Torque N•m (in•lbf)			Arm Length, L		
		Reverse	Forward	At Display Mount	At Wall Mount	Center Joint	None	250 (9.8)	325 (12.8)
Tilt and swivel	141	7.9 (70)	1.3 (10)	3 (27)	N/A	N/A	AV-D40-13K141-XX	N/A	N/A
	142	15.4 (136)	2.26 (20)	3 (27)	N/A	N/A	AV-D40-13K142-XX	N/A	N/A
	143	8.6 (76)	6.0 (53)	3 (27)	N/A	N/A	AV-D40-13K143-XX	N/A	N/A
	144	23.1 (204)	7 (62)	3 (27)	N/A	N/A	AV-D40-13K144-XX	N/A	N/A

XX	Color
50	Black
76	White